

BYONICO™

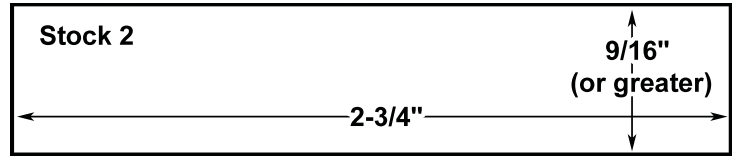
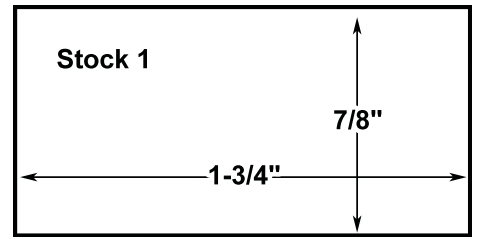
Instructions for Yonico Picture Frame Router Bit Set
Item # 18320, 18321 & 18322

To determine the amount of stock required for this project measure the length & width of the art work, the stock width and the stepped rabbet bit's depth of cut and calculate as follows.

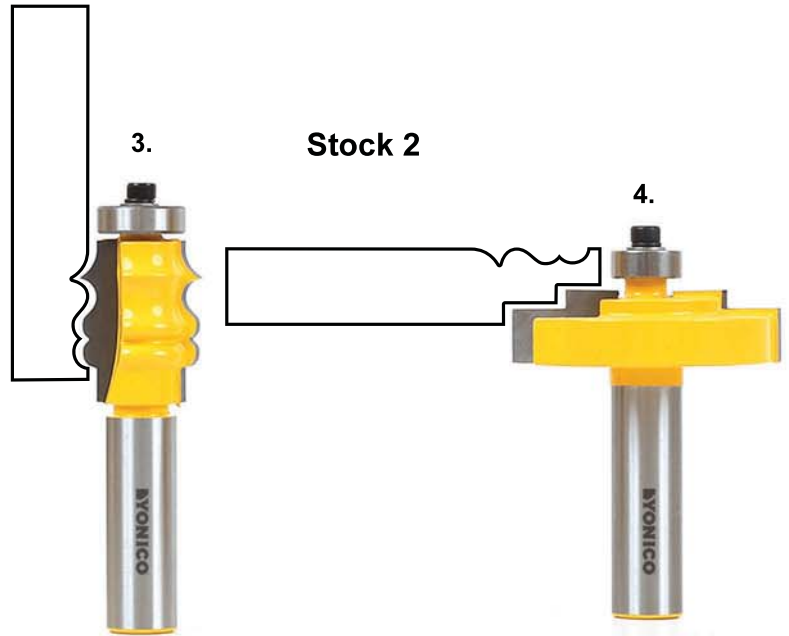
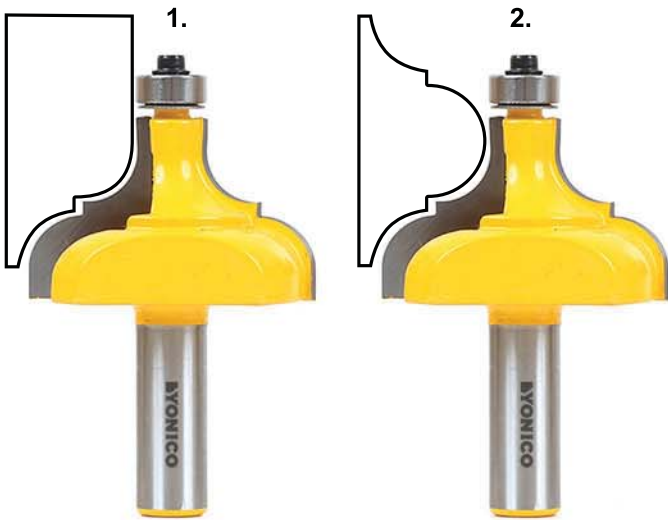
$(\text{Art work Width} \times 2) + (\text{Art work length} \times 2) + ((\text{Stock width} - \text{Rabbet bit depth of cut}) \times 8) = \text{Linear feet of stock required.}$

Extra stock should be added to allow for cuts.

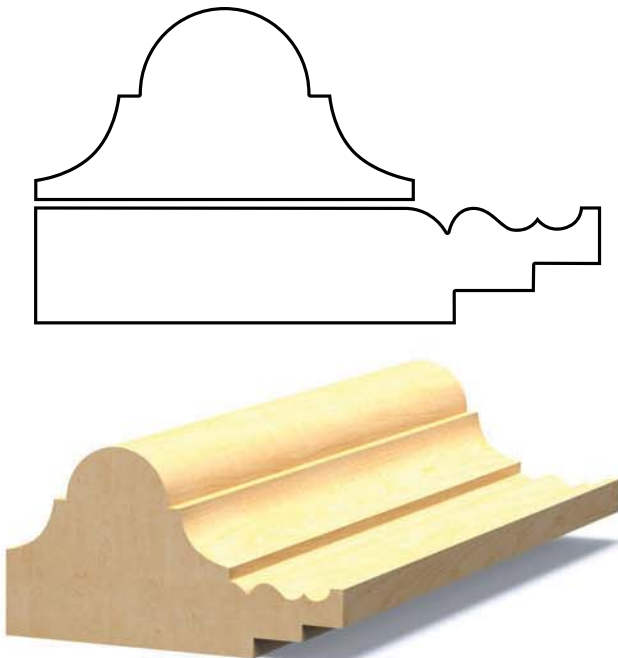
Recommended
Stock Sizes



Stock 1



Glue together



Miter the finished molding to size and clamp & glue.

